

# SELF-PRIMING PUMPS

SCP/SFP SERIES



SFP PUMP

# SCP PUMP



# INTRODUCTION OF PUMP

Rotech SCP series Pumps close coupled self-priming centrifugal pumps can be mounted with NEMA C face electric motor frames ( 56TC, 143TC, 145TC etc.) , IEC electric motors and Hydraulic Motors while Rotech RFP series Pumps are self-priming centrifugal frame mounted or Base mounted Pumps directly couple with coupling or V belt pulley drive wither with motor or engine.

SCP/SFP series are capable to lift liquid up to 25 ft form the liquid level below ground. However, for the best performance of pump , the pump should be installed less than 15 above the liquid level. The flapper valve will maintain a full column liquid in suction pipe line.

Standard features include stainless steel drive sleeve, stainless steel fasteners, renewable wear plate, and a semi-open dynamically balanced impeller. Option Include double grease-lubricated seals, stainless steel impeller and seals for all types of abrasive and / or corrosive services.

The ROTECH series of pumps are commonly used in water, waste water, Industrial, transfer pump application, wash down, OEM, Agricultural, Fertilizer and Pesticide Pumps, Applicators & Sprayers, Bulk Transfer Pumps and much more.

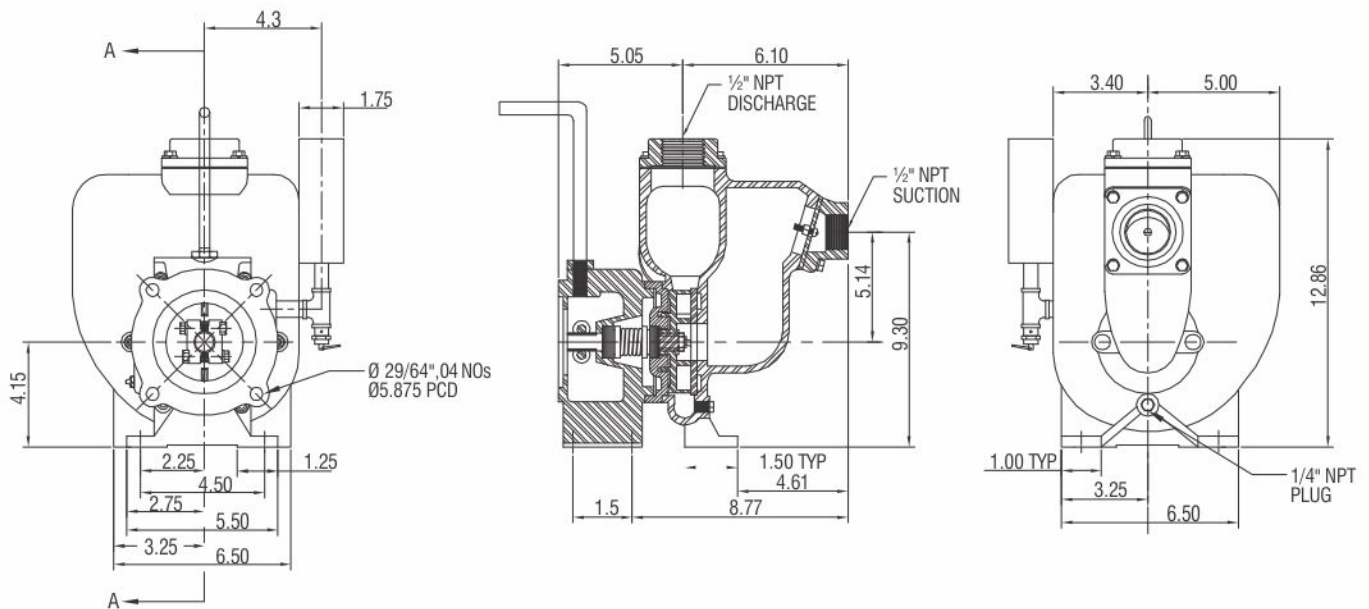
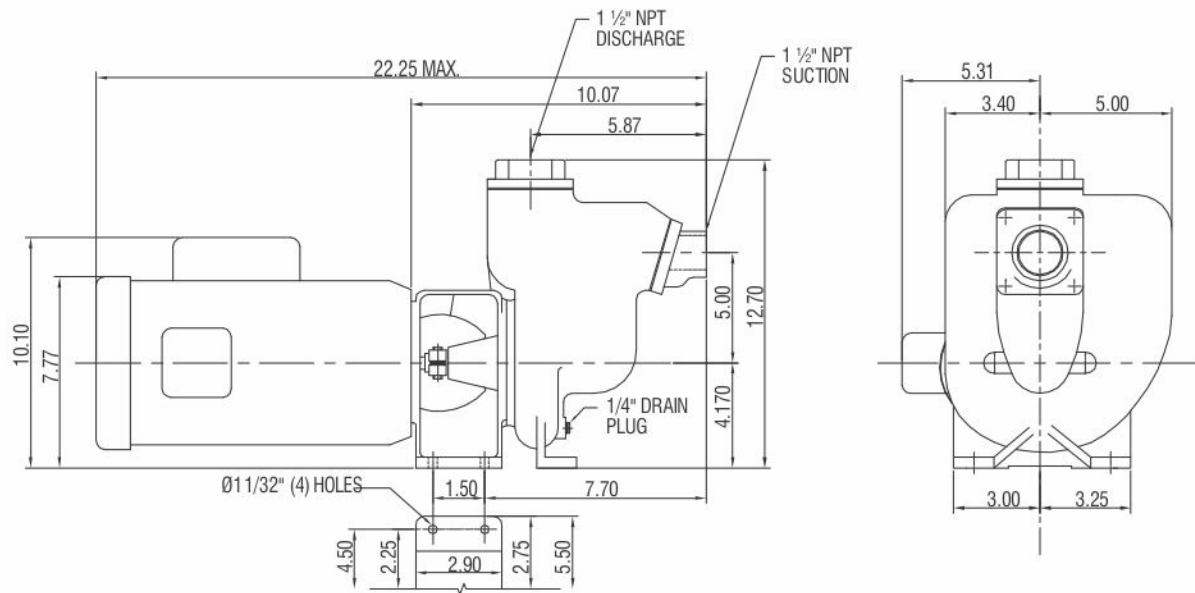
## SPECIFICATIONS

| MODEL                      | SCP150 / SFP150   | SCP200 / SFP 200  | SCP300 / SFP 300   |
|----------------------------|---|---|--|
| Suction & Discharge        | 1-1/2" x 1-1/2" NPT   | 2" x 2" NPT   | 3" x 3" NPT  |
| Materials of Constructions | Cast Iron<br>Bronze<br>Aluminum<br>Stainless Steel  | Cast Iron<br>Bronze<br>Aluminum<br>Stainless Steel  | Cast Iron<br>Bronze<br>Aluminum<br>Stainless Steel   |
| Flow                       | Up to 145 GPM   | Up to 150 GPM   | Up to 320 GPM  |
| Head Feet (TDH)            | Up to 100'  | Up to 100'  | Up to 145'   |
| Impeller                   | 5.0" Max Diameter, Semi Open  | 5.0" Max Diameter, Semi Open  | 6.0" Max Diameter, Semi Open   |
| Max Solid Size             | 1/2"  | 1/2 "   | 0.6"   |
| Motor                      | Up to 3 Hp  | Up to 3 Hp  | Up to 7.5 Hp   |
| Drive Options              | Close Coupled 145TC,<br>Close Coupled 56C<br>Engine Mount 5.5 HP,<br>Engine Mount 6.5 HP, Pedestal,<br>Standard Carbon / Ceramic / Viton                      | Close Coupled 145TC<br>Close Coupled 56C<br>Engine Mount 5.5 HP<br>Engine Mount 6.5 HP, Pedestal<br>Standard Carbon / Ceramic / Viton                         | Close Coupled 184TC<br>Close Coupled 215C<br>Engine Mount 5.5 HP<br>6.5HP, 11 HP & 13 HP<br>Pedestal   |
| Seal                       | Special Seal material combinations available (consult factory)  | Special Seal material combinations available (consult factory)  | Special Seal material combinations available (consult factory)   |
| Application                | Water and Water Waste<br>Industrial, OEM<br>Industrial Transfer   | Water and Water Waste<br>Industrial, OEM<br>Industrial Transfer   | Water and Water Waste<br>Industrial, OEM<br>Industrial Transfer  |
| Special Features           | Stainless Renewable Wear Plate<br>Stainless Steel Drive Sleeve<br>Stainless Steel Fasteners<br>Up to 25' suction lift<br>Various Drive Options                | Stainless Renewable Wear Plate<br>Stainless Steel Drive Sleeve<br>Stainless Steel Fasteners<br>Up to 25' suction lift<br>Various Drive Options                | Stainless Renewable Wear Plate<br>Stainless Steel Drive Sleeve<br>Stainless Steel Fasteners<br>Up to 25' suction lift<br>Various Drive Options |
| Options                    | Various drive options available in various MOC, Base Plate Option<br>Hydraulic Motor available<br>Stainless Steel Impeller, Bronze, Duplex<br>Stainless Steel | Various drive options available in various MOC, Base Plate Option<br>Hydraulic Motor available<br>Stainless Steel Impeller, Bronze, Duplex<br>Stainless Steel | 5 Blade Impeller available for higher flows, Base Plate Option<br>Double Seal available for dry run applications, Hydraulic Motor available    |

# SCP150 / SFP150

1.5"X1.5" SELF PRIMING CENTRIFUGAL PUMP

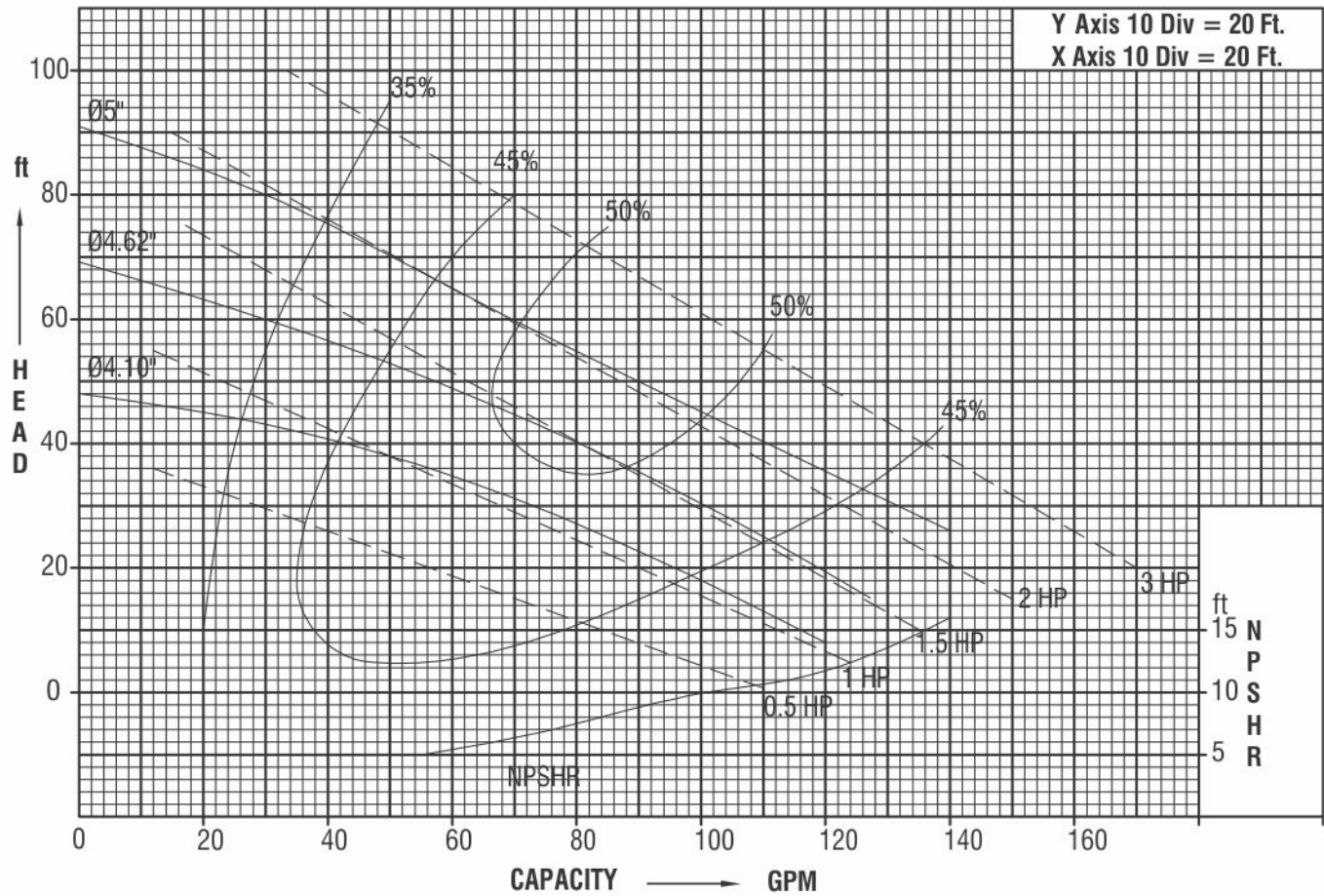
## DIMENSIONAL DRAWINGS





# PERFORMANCE CURVES

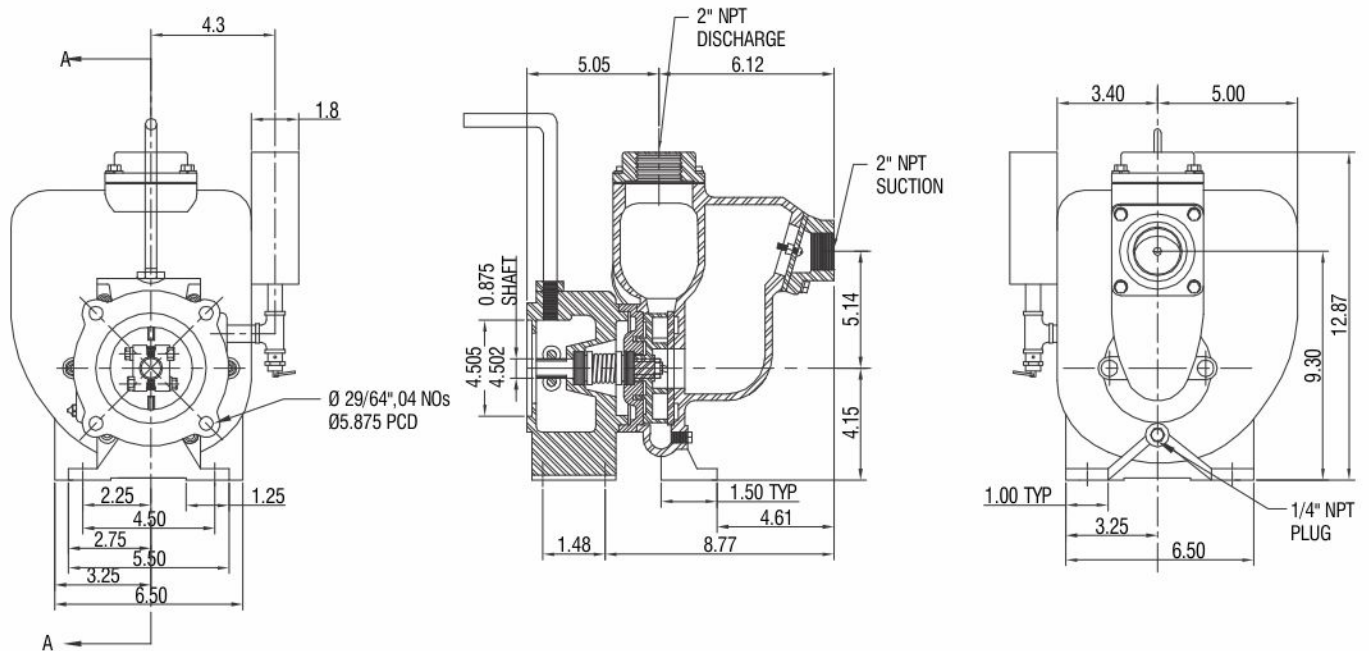
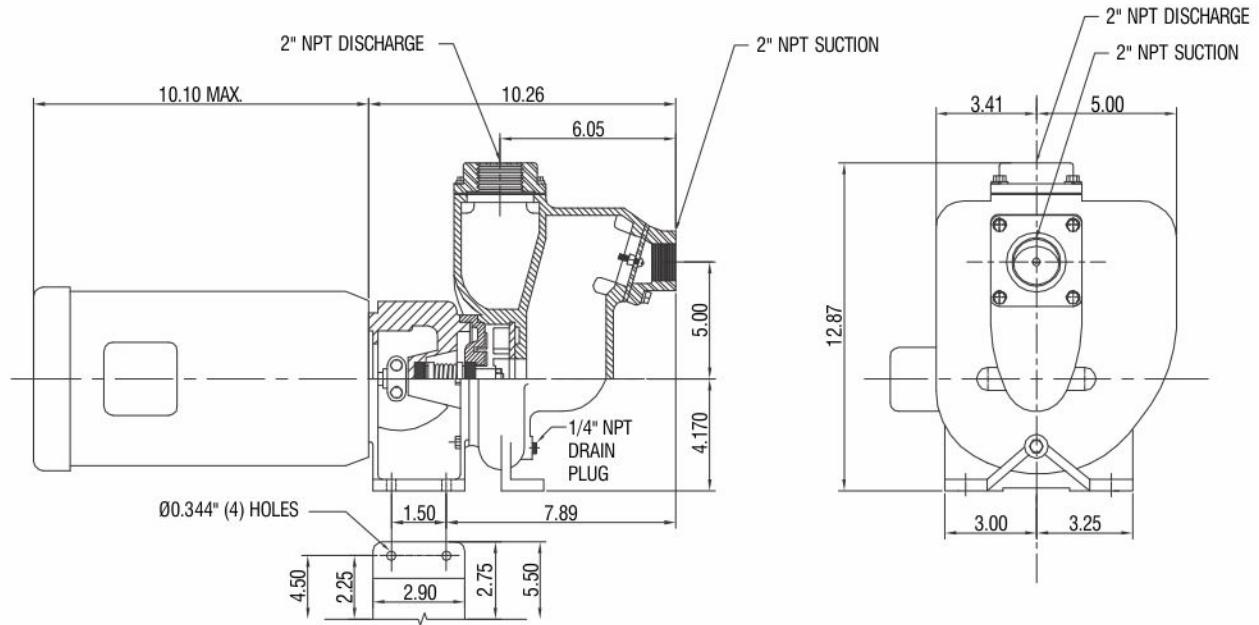
MODEL - SCP, Size - 1.5" x 1.5", RPM - 3450



# SCP200

2"X2" SELF PRIMING CENTRIFUGAL PUMP

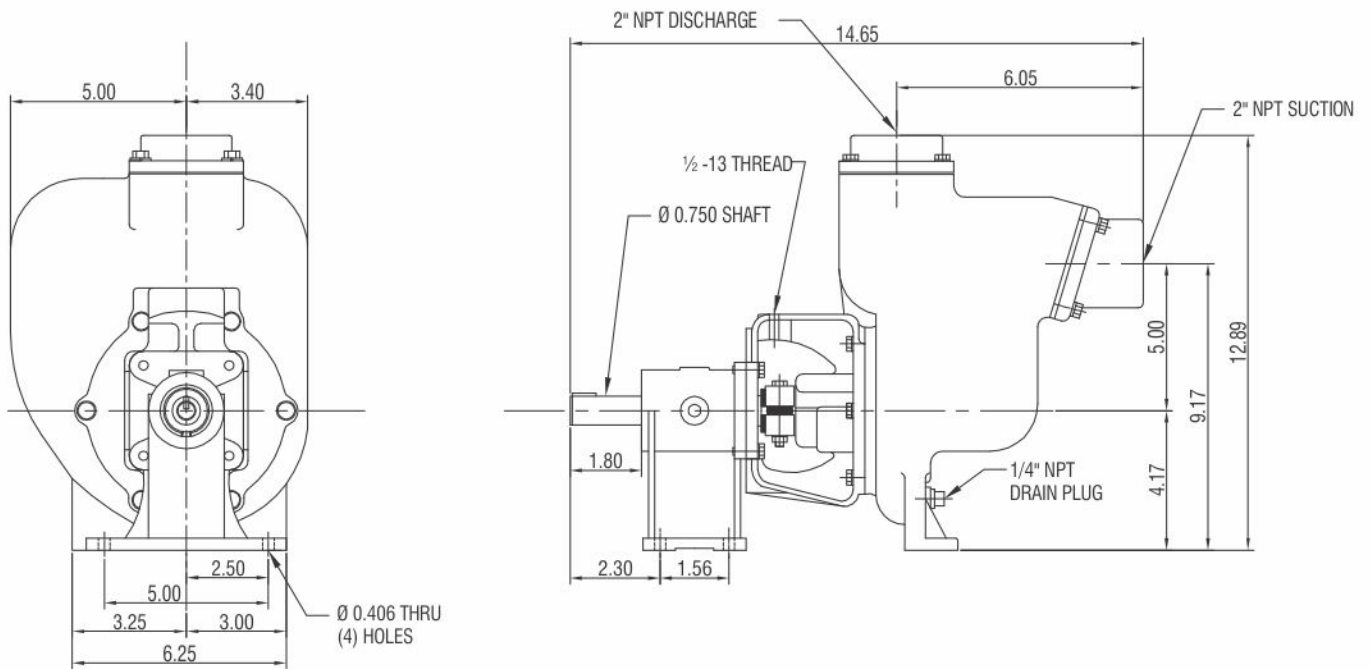
## DIMENSIONAL DRAWINGS



# SFP200

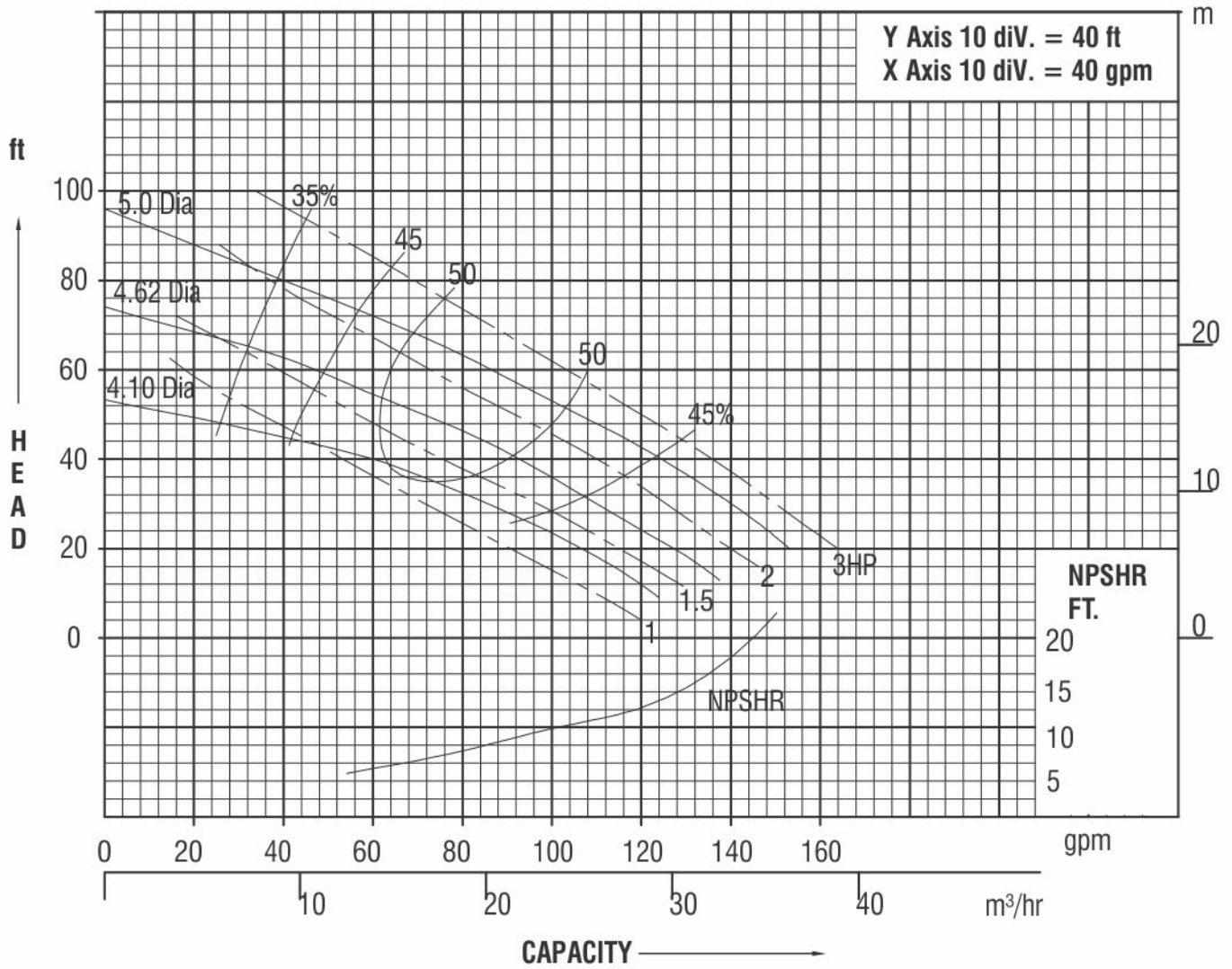
2"X2" SELF PRIMING CENTRIFUGAL PUMP

## DIMENSIONAL DRAWINGS



# PERFORMANCE CURVES

MODEL - SCP, Size - 2" x 2", RPM - 3450

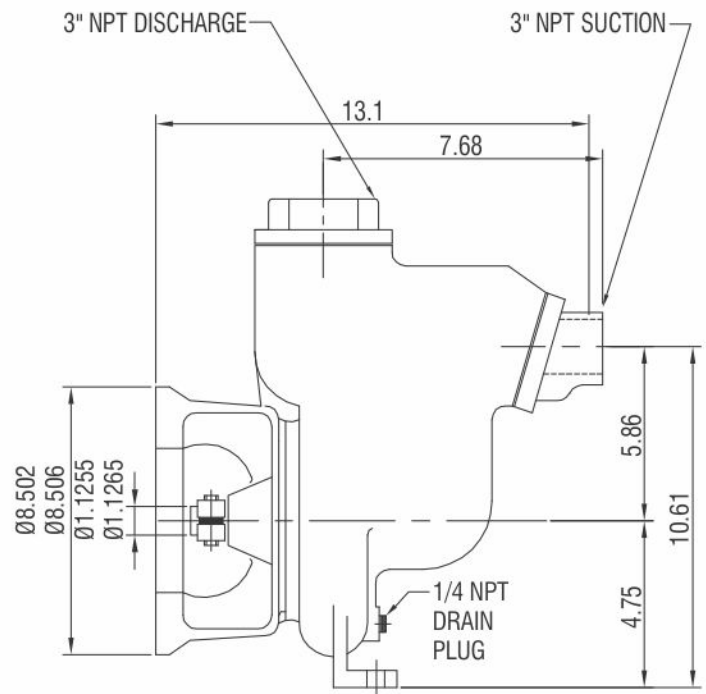
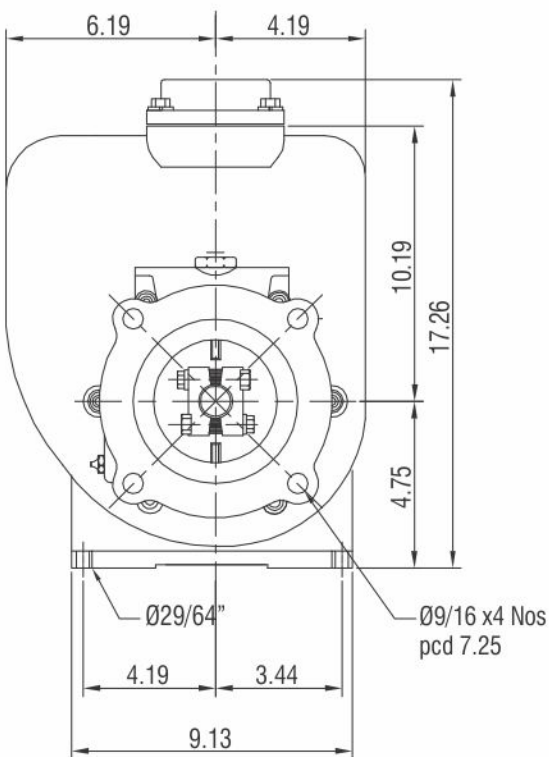
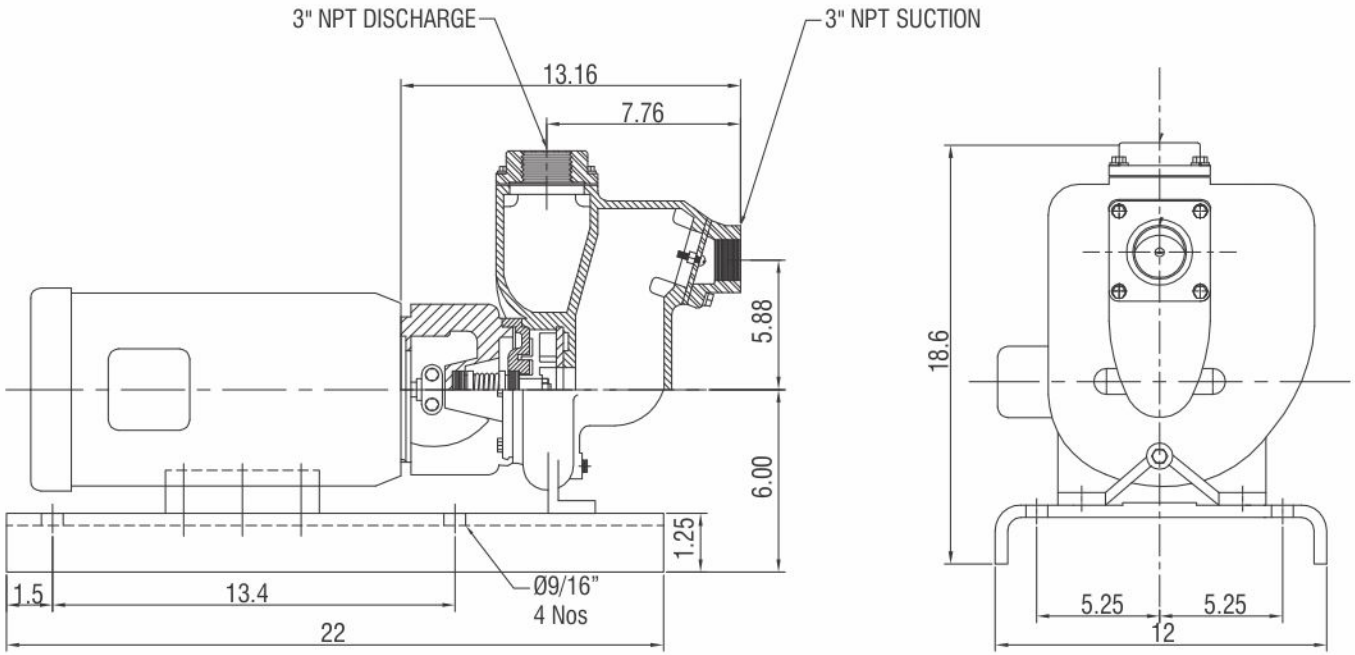




# SCP300

3"X3" SELF PRIMING CENTRIFUGAL PUMP

## DIMENSIONAL DRAWINGS

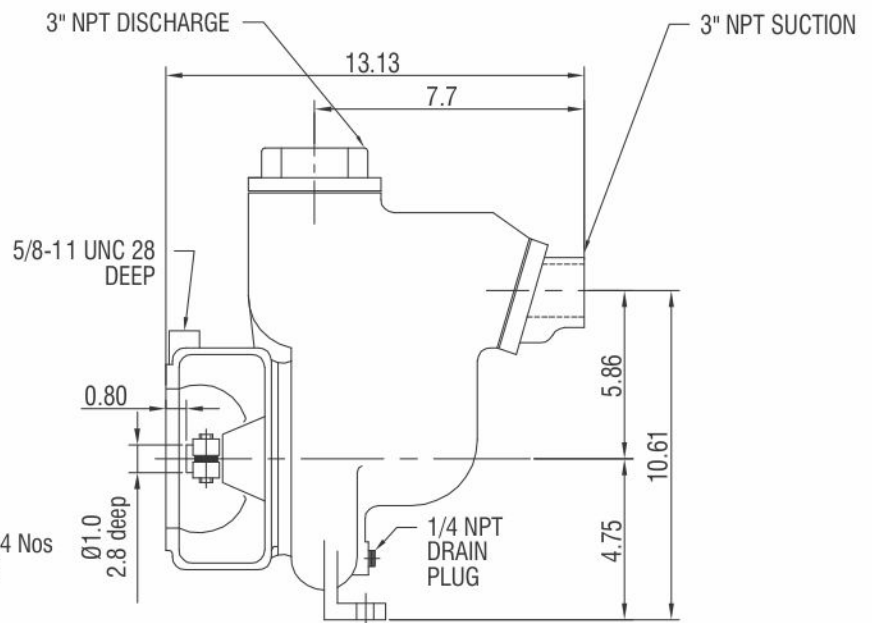
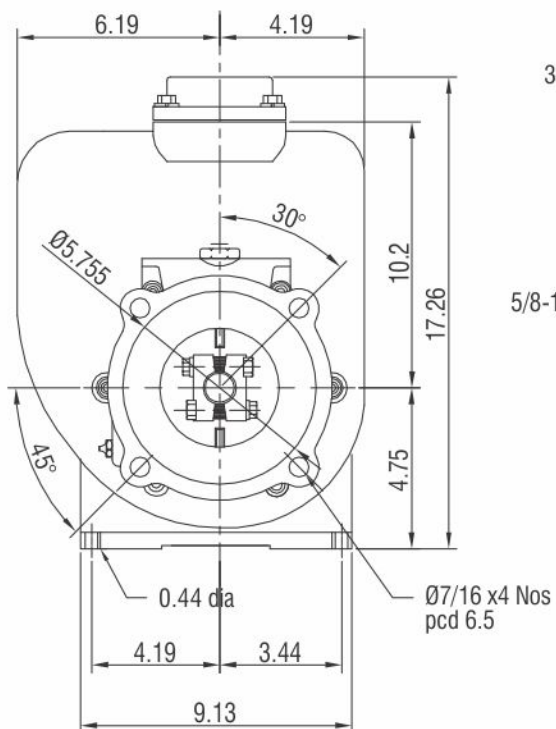
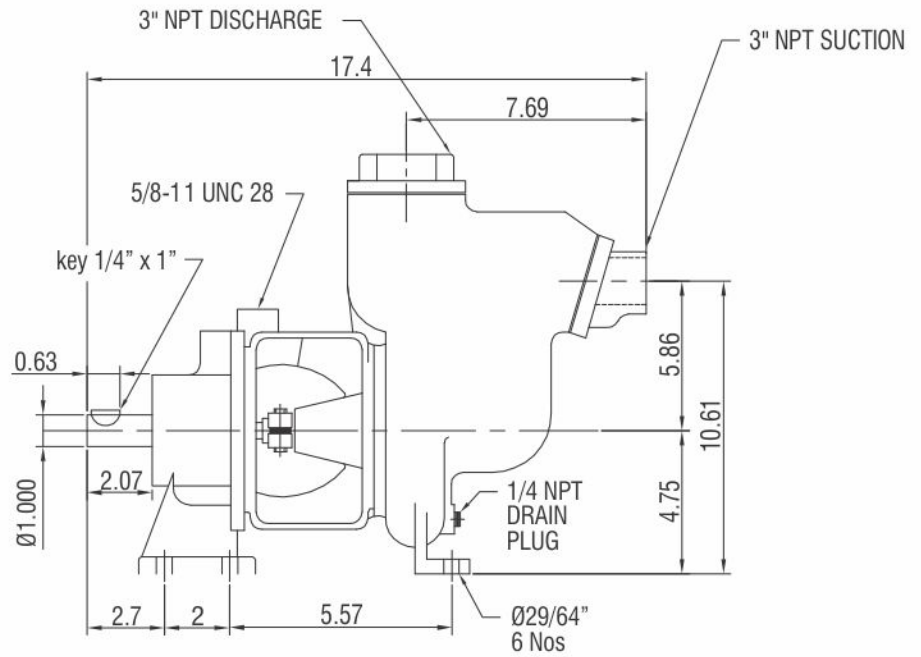
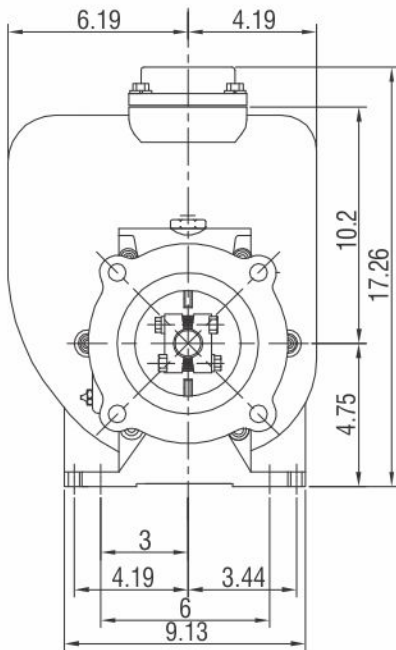




# SFP300

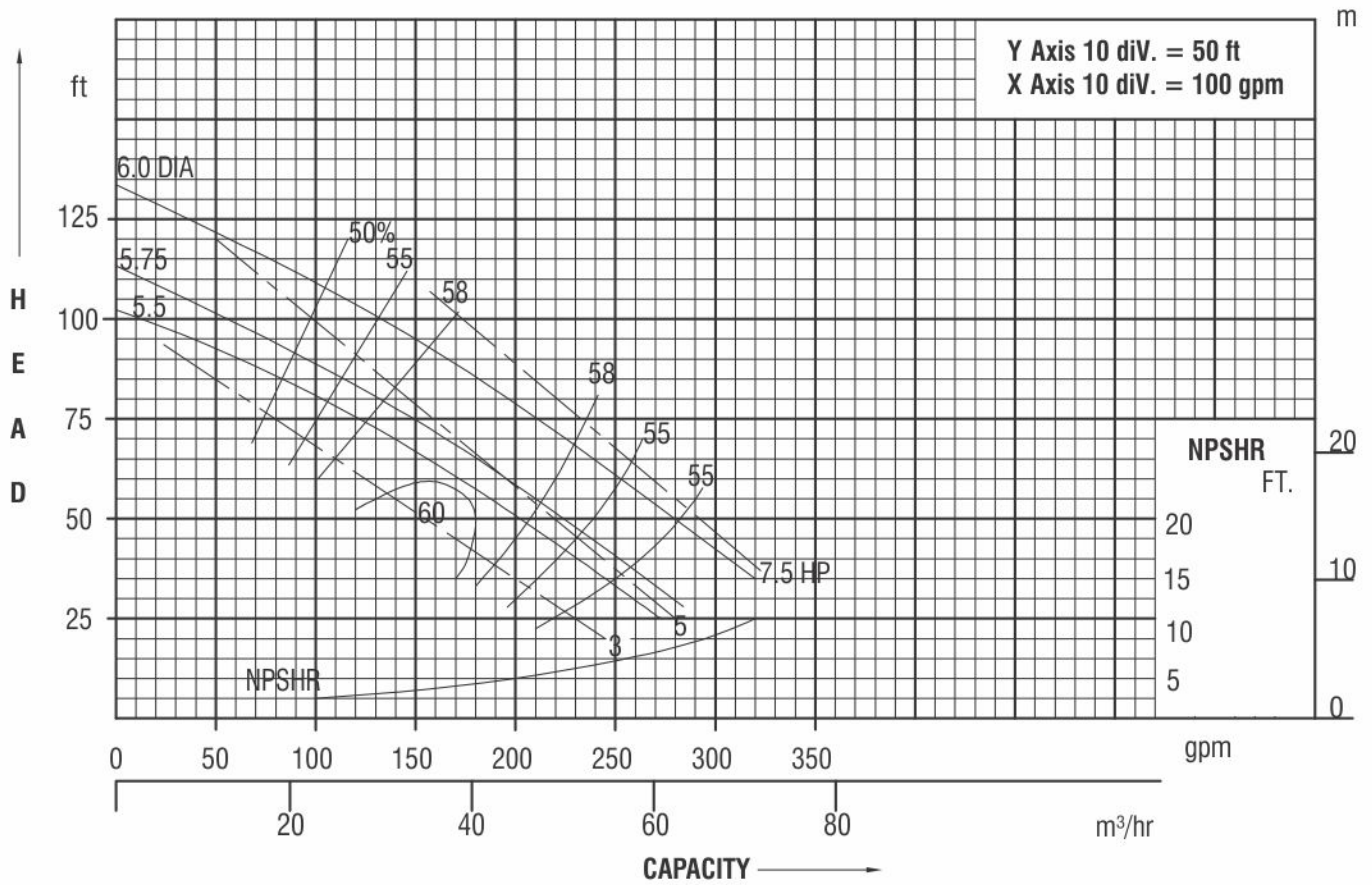
3"X3" SELF PRIMING CENTRIFUGAL PUMP

## DIMENSIONAL DRAWINGS

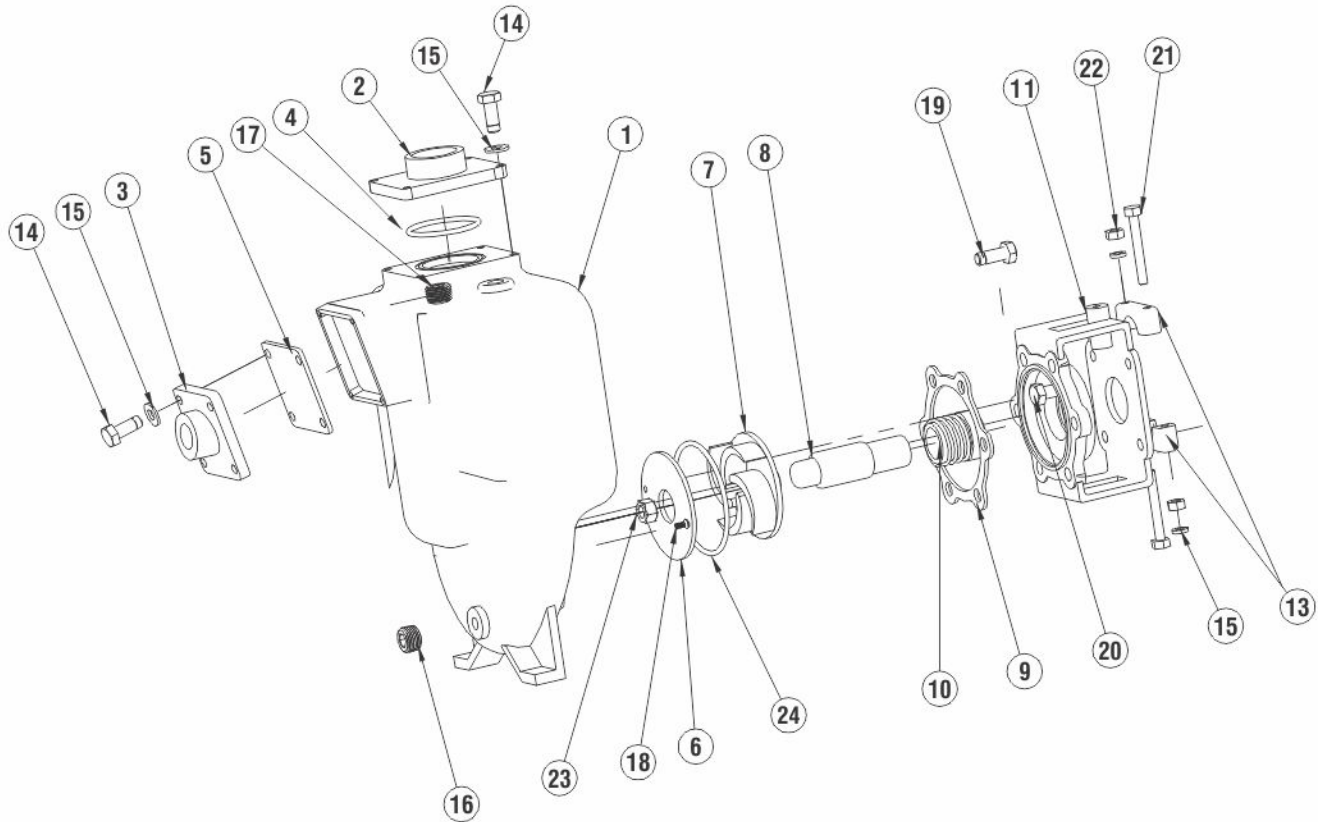


# PERFORMANCE CURVES

MODEL - SCP, Size - 3" x 3", RPM - 3450



# EXPLODED VIEW - SCP PUMP

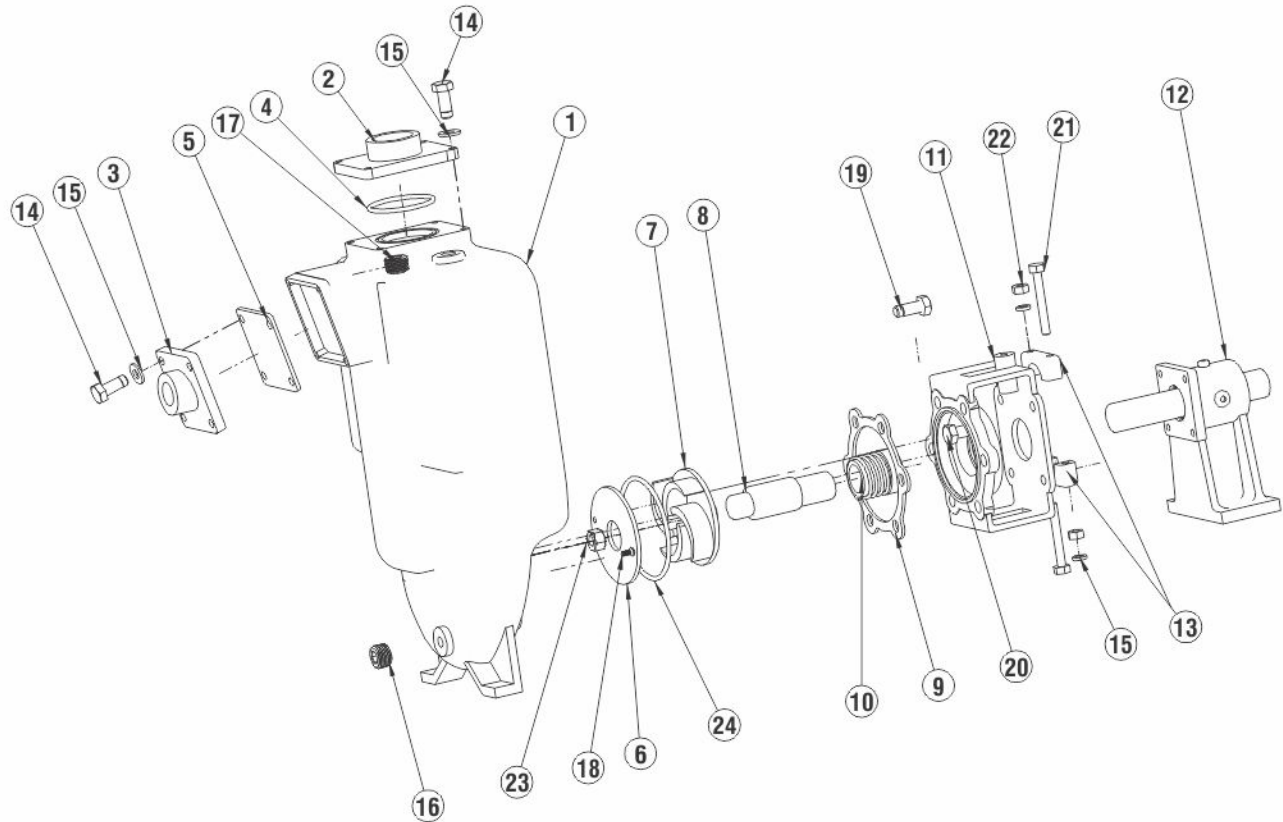


| ITEM NO. | DESCRIPTION      | QTY |
|----------|------------------|-----|
| 1        | CASING           | 1   |
| 2        | DISCHARGE FLANGE | 1   |
| 3        | SUCTION FLANGE   | 1   |
| 4        | O-RING VITON     | 1   |
| 5        | FLAPPER ASSY.    | 1   |
| 6        | WEAR PLATE       | 1   |
| 7        | IMPELLER         | 1   |
| 8        | SLEEVE           | 1   |
| 9        | GASKET           | 1   |
| 10       | SEAL ASSY.       | 1   |
| 11       | ADAPTOR          | 1   |
| 12       | NOT APPLICABLE   | -   |

| ITEM NO. | DESCRIPTION                    | QTY |
|----------|--------------------------------|-----|
| 13       | CLAMP                          | 2   |
| 14       | CAP SCREW - 5/16" - 18 x 7/8"  | 8   |
| 15       | LOCKWASHER 5/16                | 14  |
| 16       | PIPE PLUG                      | 1   |
| 17       | FILL PLUG                      | 1   |
| 18       | FLAT HEAD SCREW                | 2   |
| 19       | CAPSCREW - 5/16" - 18 x 3/4"   | 6   |
| 20       | CAPSCREW - 5/16" - 24 x 0.88   | 4   |
| 21       | CAPSCREW - 5/16" - 18 x 1 3/4" | 2   |
| 22       | HEX NUT - 5/16" - 18 x 1 3/4"  | 2   |
| 23       | JAM NUT                        | 1   |
| 24       | O-RING VITON                   | 1   |



# EXPLODED VIEW - SFP PUMP



| ITEM NO. | DESCRIPTION      | QTY |
|----------|------------------|-----|
| 1        | CASING           | 1   |
| 2        | DISCHARGE FLANGE | 1   |
| 3        | SUCTION FLANGE   | 1   |
| 4        | O-RING VITON     | 1   |
| 5        | FLAPPER ASSY.    | 1   |
| 6        | WEAR PLATE       | 1   |
| 7        | IMPELLER         | 1   |
| 8        | SLEEVE           | 1   |
| 9        | GASKET           | 1   |
| 10       | SEAL ASSY.       | 1   |
| 11       | ADAPTOR          | 1   |
| 12       | PEDESTAL ASSY.   | 1   |

| ITEM NO. | DESCRIPTION                    | QTY |
|----------|--------------------------------|-----|
| 13       | CLAMP                          | 2   |
| 14       | CAP SCREW - 5/16" - 18 x 7/8"  | 8   |
| 15       | LOCKWASHER 5/16                | 14  |
| 16       | PIPE PLUG                      | 1   |
| 17       | FILL PLUG                      | 1   |
| 18       | FLAT HEAD SCREW                | 2   |
| 19       | CAPSCREW - 5/16" - 18 x 3/4"   | 6   |
| 20       | CAPSCREW - 5/16" - 24 x 0.88   | 4   |
| 21       | CAPSCREW - 5/16" - 18 x 1 3/4" | 2   |
| 22       | HEX NUT - 5/16" - 18 x 1 3/4"  | 2   |
| 23       | JAM NUT                        | 1   |
| 24       | O-RING VITON                   | 1   |



"A Trusted Partner in Pump Solutions"

1320 Britannia Road East  
Mississauga, Ontario, Canada. L4W 1C8

Phone: (905) 461-9617 | Fax: (905) 461-9618  
Toll Free: 1-866-217-PUMP (7867)

Email: sales@rotechpumps.com | www.rotechpumps.com